

FRONT WALL STUDS

PACKAGE #4 FRONT WALL FRAME

- ASSEMBLE THIS WALL IN TWO SECTIONS. THE SOUTH SECTION WILL INCLUDE THE DH-1 & 2 AND THE CR-6'S.

NOTE THAT THE TWO TP-5 TOP PLATES ARE 9 1/2" LVL AND WILL EXTEND 4" BEYOND THE INSIDE FACE OF THE STUDS & CRIPPLES AS SHOWN IN DETAIL 2. THIS WILL PREVENT THE WALL ASSEMBLY FROM LYING FLAT ON THE FLOOR DURING ITS ASSEMBLY. IT WILL BE NECESSARY TO SUPPORT THE TOP ENDS OF THE STUDS AND CRIPPLES ON BLOCKS IN ORDER TO ASSEMBLE THESE PARTS.

DIMENSIONS IN **BOLD** ARE TO THE JS-2S & JS-3'S AT THE EDGES OF THE ROUGH OPENINGS AND THE STUDS NEXT TO THEM.

- TOP AND BOTTOM PLATES ARE FASTENED TO THE STUDS WITH TWO 16D NAILS IN EACH LOCATION.

NOTE THE TP-5 TOP PLATE IS FASTENED TO THE STUDS AND CRIPPLES WITH **THREE** 16D NAILS AS SHOWN IN DETAIL 2.

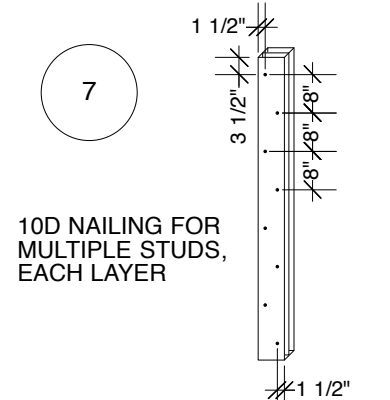
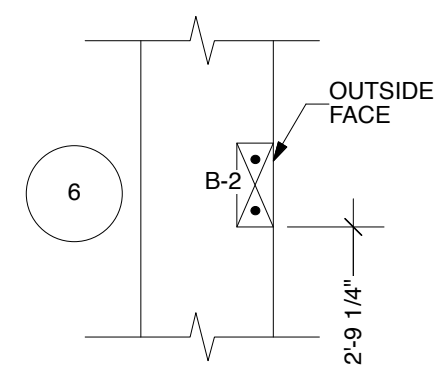
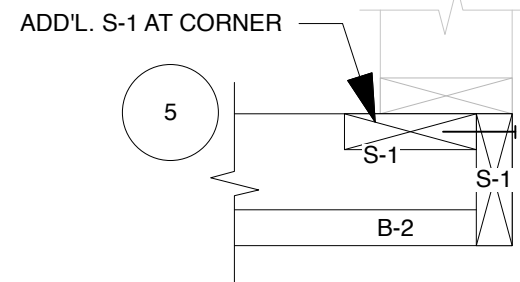
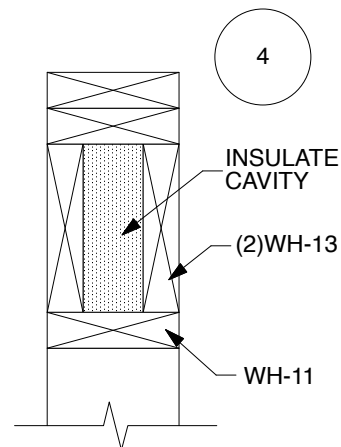
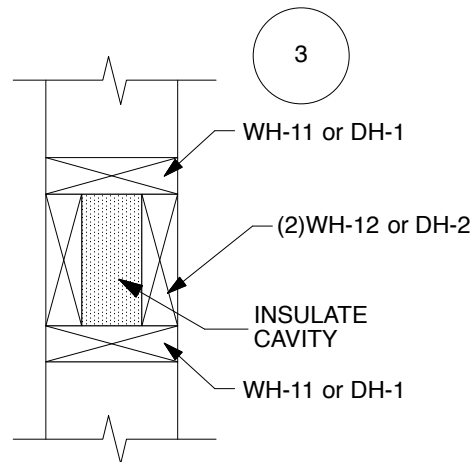
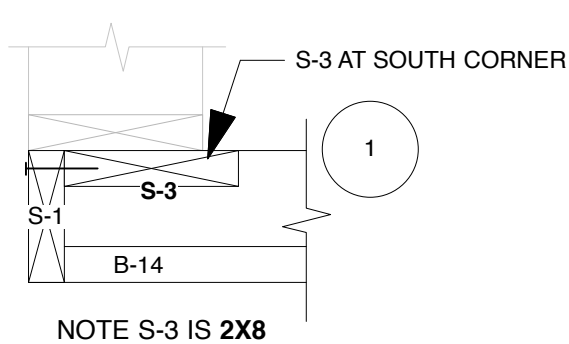
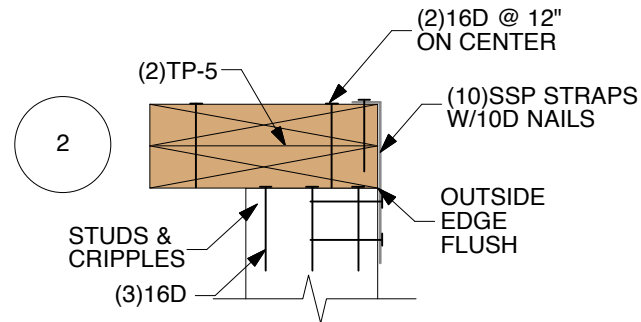
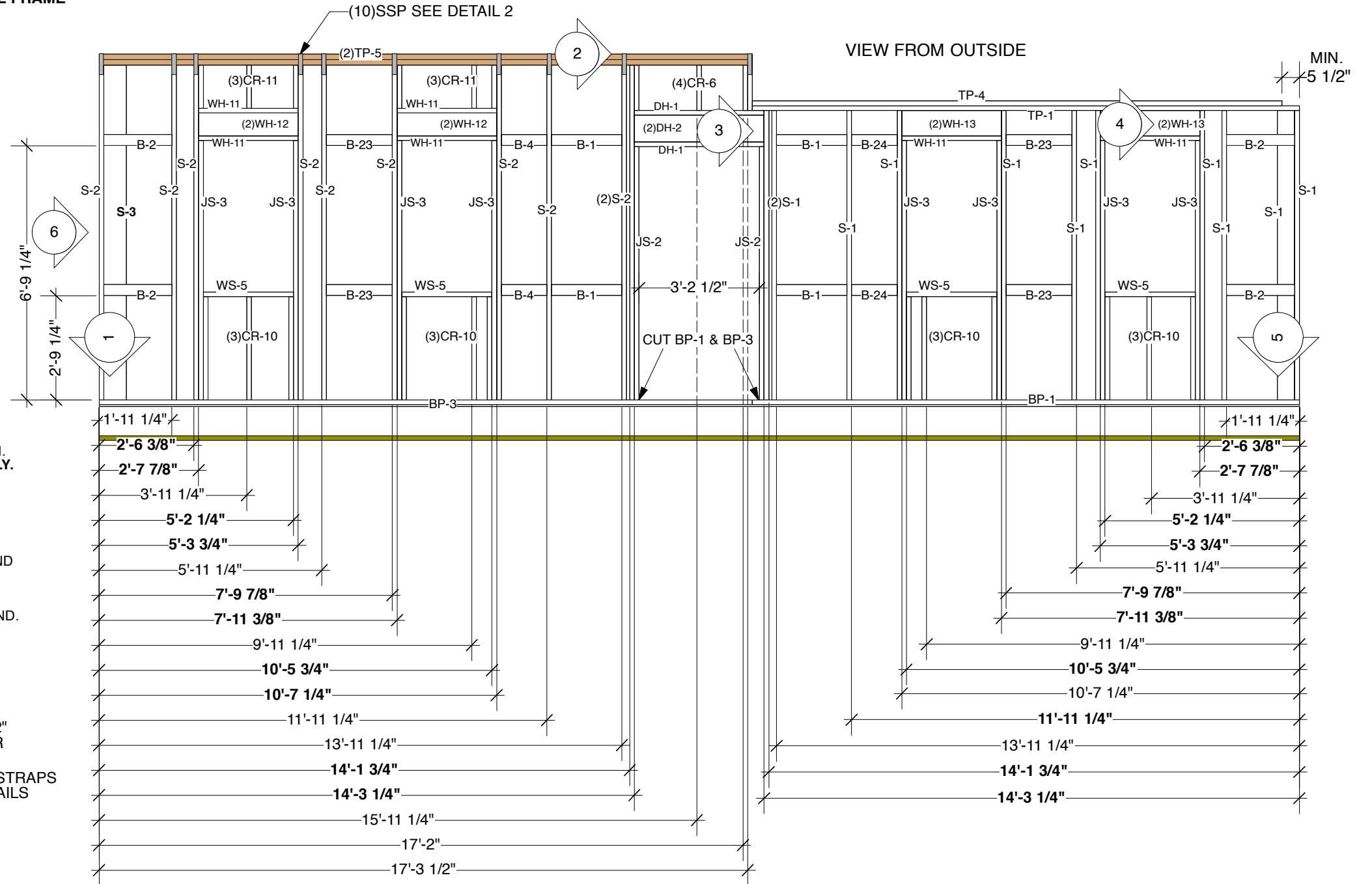
THE TP-1 & TP-4 TOP PLATES ARE FASTENED TOGETHER WITH 16D NAILS, TWO EVERY 2'.

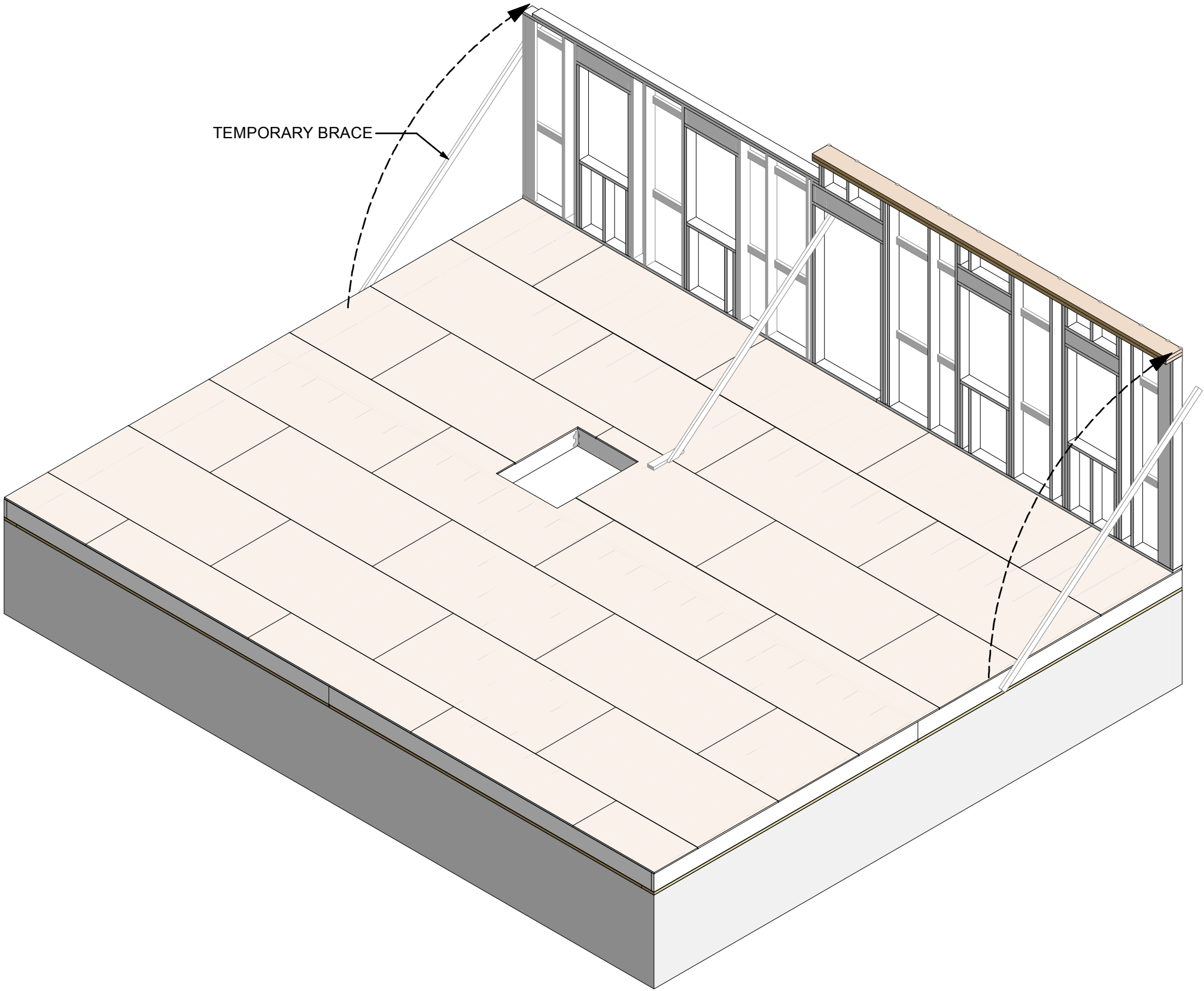
NOTE THAT THE TWO TP-5 TOP PLATES ARE FASTENED TOGETHER WITH 16D NAILS, **TWO EVERY 12"**. SEE DETAIL 2.

NOTE THE ADDITIONAL STUDS AT EACH END OF THE WALL, SHOWN IN DETAIL 1 AND DETAIL 5. THIS WILL PROVIDE A NAIL BASE FOR THE CORNER CONNECTION. THE SOUTH LOCATION HAS AN **S-3** 2X8 STUD TO MATCH THE 2X8 STUDS IN THE SOUTH GABLE WALL.

NOTE FASTEN ALL MULTIPLE STUDS & CRIPPLES AS SHOWN IN DETAIL 7.

- DOOR AND WINDOW HEADER ASSEMBLIES ARE MADE UP WITH 2X6 PLATES TOP & BOTTOM. SEE DETAIL 3 AND 4. **INSULATE THE CAVITY BEFORE COMPLETING THE HEADER ASSEMBLY.** HEADERS ARE FASTENED THROUGH THE STUDS WITH THREE 10D NAILS.
- THE CR-, JS-, WS- & WH PARTS WILL DETERMINE THE SIZE OF THE WINDOW OPENINGS. NOTE THE 3'-2 1/2" WIDTH OF THE DOOR OPENING. CUT THE BP-1 & BP-3 FROM THE DOOR OPENING AFTER THE WALL IS IN PLACE.
- INSTALL TEN SSP STRAPS IN THE LOCATIONS SHOWN, FASTENING THEM TO THE STUDS AND TOP PLATES WITH 10D NAILS. SEE DETAIL 2.
- NOTE THE LOCATION OF THE 2X4 BLOCKS. THESE ARE INSTALLED WITH THE WIDE FACE FLUSH WITH THE OUTSIDE FACE OF THE STUDS. FASTEN WITH TWO 10D NAILS IN EACH END. SEE DETAIL 6.
- STAND THE WALLS IN PLACE, ALIGN WITH THE EDGE OF THE RIM JOISTS. ADJUST SO THAT THEY ARE PLUMB AND ATTACH TEMPORARY BRACES. **FASTEN TO THE RIM AND JOISTS WITH 16D NAILS, ONE IN EACH JOIST AND ONE EVERY 12" INTO THE RIM JOIST.**





TEMPORARY BRACE